

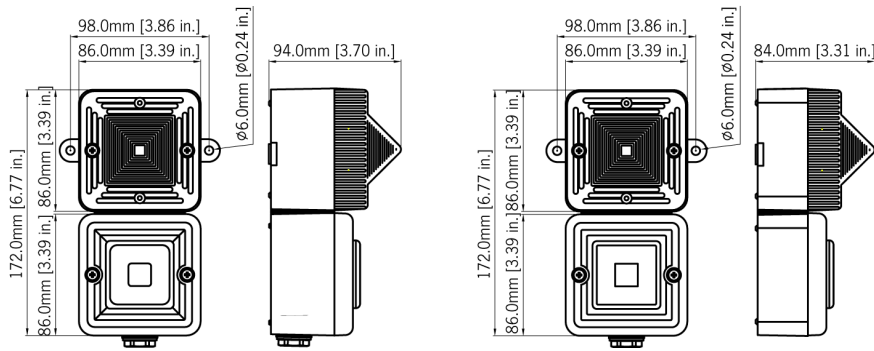
Features

- Automatic synchronisation on multi-sounder system.
- High output Xenon beacon
- DC voltage units feature multiple flash rates.
- Continuously rated.
- Stainless steel fixings.
- Mounting via internal BESA compatible fixing positions or via external mounting lugs.
- Duplicate cable terminations (in & out for daisy-chain installations).
- Tropicalisation available on request.
- Available with custom tone configurations and frequencies.

Approvals

- VdS approved: EN54-3 and EN54-23 (CPR 305/2011/EU).
- UL & cULus approved: General signalling use.
- GOST-R approved. Cert: POCC GB-JB05-H00144.
- Marine Equipment Directive (MED) Certificate: MEDB00001EH





Specification

Sounder:	
Maximum output:	100dB(A) @ 1 metre [91dB(A) @ 10ft/3m]
Nominal output:	99dB(A) @ 1m +/- 3dB - Tone 1 [90dB(A) @ 10ft/3m]
No. of tones:	10 (UKOOA / PFEER compliant)
No. of stages:	2
Volume control:	On board potentiometer
Effective range:	30m/99ft @ 1KHz
Beacon:	
Energy:	5 Joules (5Ws)
Flash rate:	1Hz (60 fpm)
Peak Candela:	500,000 cd - calculated from energy (J)
Effective Intensity:	250 cd - calculated from energy (J)
Peak Candela:	86,935 cd* - measured ref. to I.E.S.
Effective Intensity:	200 cd* - measured ref. to I.E.S.
Lens colours:	Amber, Blue, Clear, Green, Magenta, Red & Yellow
Tube life:	Emissions are reduced to 70% after 5 million flashes
General:	
Voltages DC:	12Vdc; 24V dc
Voltages AC:	24V ac; 115V ac; 230V ac
Ingress protection:	IP66
Housing material:	High impact UL94 V0 & 5VA FR ABS
Colour:	Red (RAL3000), grey (RAL7038) & white.
Lens material:	PC
Cable entries:	4 x M20 clearance gland knockouts in side & back
Terminals:	0.5 to 1.5mm ² cables.
Operating temp:	-25 to +55°C [-13° to +131°F]
Storage temp:	-40 to +70°C [-40° to +158°F]
Relative humidity:	90% at 20°C [68°F]
Weight:	0.50kg/1.1lbs
*SPL data +/-3dB(A). Measured at optimum voltage.	
*Candela measurements representative of performance with clear lens at optimum voltage.	

Part Codes

Version:	Part code:
12V dc	SONFL 1XDC012[x]/[y]
24V dc	SONFL 1XDC024[x]/[y]
24V ac	SONFL 1XAC024[x]/[y]
115V ac	SONFL 1XAC115[x]/[y]
230V ac	SONFL 1XAC230[x]/[y]
[x] = Enclosure colour:	G: Grey (RAL7038) R: Red (RAL3000) W: White
[y] = Lens colour:	A: Amber B: Blue C: Clear G: Green M: Magenta R: Red Y: Yellow

Suffix part number with '-UL' for UL approved version.

Suffix part number with '-M' for MED approved version [24V dc unit, Clear lens only]

CPR - EN54-3 &

EN54-23:	
Part code:	SONFL 1XDC024[x]/C
Environmental class:	Type B - for outdoor use
Visual range:	Category W-2.4-4.8
Signal colour:	Clear (1Hz)

Alarm Sounder

Version:	Voltage:	Current :
12V dc	10-30V dc	25mA*
24V dc	10-30V dc	25mA*
24V ac 50/60Hz	+/-10%	40mA
115V ac 50/60Hz	+/-10%	13mA
230V ac 50/60Hz	+/-10%	13mA

* current at nominal voltage on Tone 2

Xenon Beacon

Version:	Voltage:	Current:
12V dc	10-14V dc	500mA
24V dc	20-28V dc	250mA
24V ac 50/60Hz	+/-10%	300mA
115V ac 50/60Hz	+/-10%	70mA

Tone table

S 1 Description

S 1	Description	S 2
T 1	800/1000Hz @ 0.25 sec Alternating	T 8
T 2	500/1200Hz @ 0.3Hz 0.5 sec Slow Whoop	T 1
T 3	1200/500Hz @ 1Hz - DIN / PFEER P.T.A.P.	T 8
T 4	544Hz (100mS)/440Hz (400mS) - NF S 32-001	T 9
T 5	Bell	T 1
T 6	800/1000Hz @ 7Hz Sweeping	T 8
T 7	500-1200Hz 3.75sec /0.25sec. Australian Evac.	T 10
T 8	\2.1000Hz Continuous - PFEER Toxic Gas	
T 9	\2.Continuous 554Hz	
T 10	\2.420Hz @ 0.625 sec Australian Alert	

\4.AC
Version
(Single
stage
only):

S1	\2.Description
T 1	\2.800/1000Hz @ 0.25 sec Alternating
T 2	\2.500/1200Hz @ 0.3Hz 0.5 sec Slow Whoop
T 3	\2.1200/500Hz @ 1Hz - DIN / PFEER P.T.A.P.
T 4	\2.544Hz (100mS)/440Hz (400mS) - NF S 32-001
T 5	\2.1000Hz Continuous - PFEER Toxic Gas
T 6	\2.Bell
T 7	\2.800/1000Hz @ 7Hz Sweeping
T 8	\2.2400/2900Hz @ 50Hz Sweeping
T 9	\2.420Hz @ 0.625 sec Australian Alert
T 10	\2.500-1200Hz 3.75sec /0.25sec. Australian Evac.