

FIRE-CRYER[®] PLUS

EN 54-3 APPROVED VOICE SOUNDERS

The Fire-Cryer[®] Plus requires no special wiring and can be retrofitted to existing installations. They are fully synchronised and have an exceptionally low current consumption. The units can be used as a replacement with electronic sounders or bells to broadcast a clear message for any situation - evacuation, chemical spills, access message, security or general information.

Where staged alarm, lockdown or phased evacuation is required the addition of the Message Controller allows up to 7 different messages to be broadcast across multiple zones on just 2 wires.

The strobe is not intended to be the primary source of alarm and a such has not been assessed for compliance to EN 54-23.

Choose from our standard message sets on page 3



APPROVALS

Approved to EN 54-3



FEATURES

- Sound output - 100 dB(A)
- Optional integral strobe - red lens with red LED
- Low current - average 20 mA
- No special wiring, easily retro-fitted
- Fully synchronised over multi-zones
- Deep base version available to IP66
- 7 user-definable messages from a library of hundreds

SPECIFICATION

Operating Voltage	20-28 V dc
Current @ 24 V dc, Peak/Avg - Sounder only	27/20 mA
Current @ 24 V dc, Typical - Sounder with low current strobe	33/26 mA
Current @ 24 V dc, Typical - Sounder with high current strobe	52/60 mA
Current @ 24 V dc - Low current strobe only	13 mA
Current @ 24 V dc - High current strobe only	32 mA
Strobe Output (Low)	2 Cd
Strobe Output (High)	6 Cd
Effective Sound Output (Typical) - Alert Fast Sweep tone to BS5839 - Voice	100 dB (A)* 95 dB (A)**
Volume Adjustment from minimum output to maximum output - 18 dB(A)	82 to 100 dB(A)
Weatherproofing (IP66 requires Deep Base)	IP45 or IP66
Housing Material	ABS
Temperature Range	-25°C to +70°C
Colour	Red or White
Connections	Screw TB 1.5 mm ²

Note: *Tone output may vary depending on chosen sound
**Voice output may vary due to the nature of human speech

PART NUMBERS - SOUNDER

- FC3/A/R/O/S: Red, Standard Base
- FC3/A/R/O/D: Red, Deep Base IP66
- FC3/A/W/O/S: White, Standard Base
- FC3/A/W/O/D: White, Deep Base IP66
- FC3/A/R/R/S: Red with Red Beacon, Standard Base
- FC3/A/R/R/D: Red with Red Beacon, Deep Base IP66
- FC3/A/W/R/S: White with Red Beacon, Standard Base
- FC3/A/W/R/D: White with Red Beacon, Deep Base IP66

PART NUMBERS - SPARES & ACCESSORIES

- FC3/ZEP: Zone Extension PCB (Can only to be used with FC3/MMSP)
- FC3/EP2: Extinguishant Interface for use with Sigma XT Panels
- VMC/02/01/05: Boxed with Message Controller (Metal Enclosure c/w FC3/MMSP+FC3/ZEP+5.25A PSU)
- VMC/02/02/02: Boxed with Message Controller (Metal Enclosure c/w FC3/MMSP+2.5A PSU)

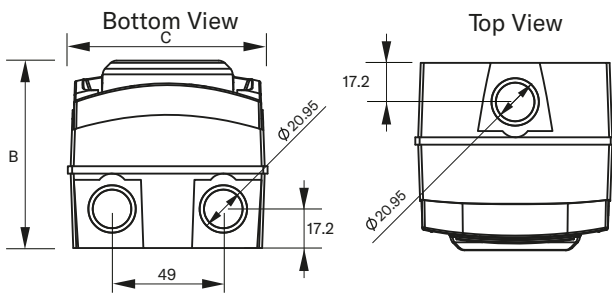
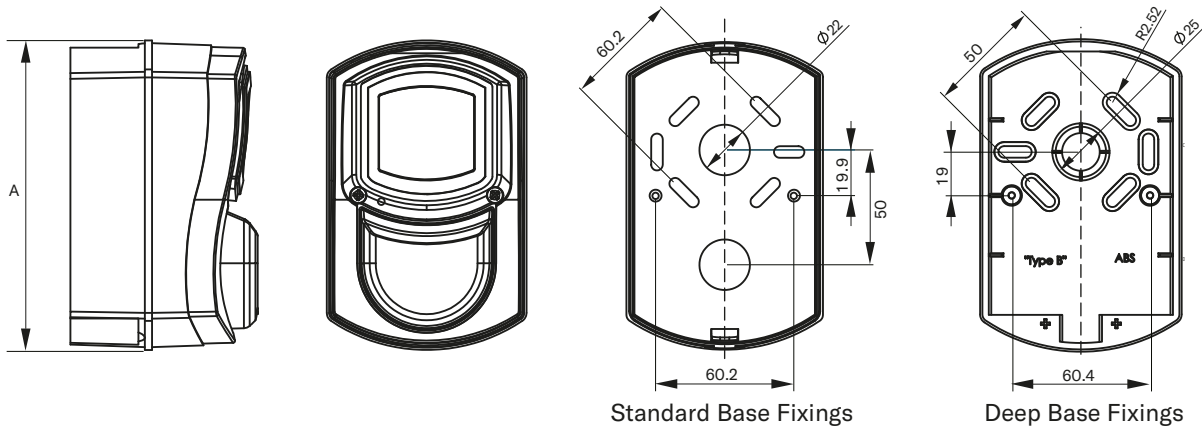
FIRE-CRYER[®] PLUS

EN 54-3 APPROVED VOICE SOUNDERS

INSTALLATION

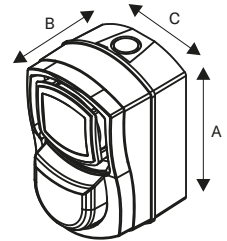
Drawings show unit with strobe and deep base fitted.

Dimensions (mm)



Overall Dimensions

	Standard Base	Standard Base + Strobe	Deep Base	Deep Base + Strobe
A	134.0	134.0	136.5	136.5
B	56.9	59.9	79.6	82.6
C	85.6	85.6	88.0	88.0



FIRE-CRYER MESSAGE LISTS

OPTION A (FIRE)

	Tone Number	Strobe Y/N	Voice Announcement
First Message	2C	Y	"Fire emergency. Please remain calm and evacuate the building immediately".
Second Message	2P	Y	"This is a fire alert. This is a fire alert. Await further instructions".
Third Message	50	N	"This is a fire alarm test. No action required. No action required".
Fourth Message	0	N	"All clear. All clear. No action required".
Fifth Message	32C	Y	"A full lockdown is in operation. Please follow full lockdown procedure".
Sixth Message	2C	Y	"Ladies and gentlemen – due to unforeseen circumstances we must ask you to leave the building immediately by the nearest exit or as directed by members of staff".
Seventh Message	32C	Y	"This is a fire alarm! Please leave the building immediately by the nearest available exit".
Order Reference	OPTION A (FIRE)		

OPTION B (LOCKDOWN)

	Tone Number	Strobe Y/N	Voice Announcement
First Message	2C	Y	"Fire emergency. Please remain calm and evacuate the building immediately".
Second Message	32C	Y	"A full lockdown is in operation. Please follow full lockdown procedure".
Third Message	32P	Y	"A partial lockdown is in operation. Please follow partial lockdown procedure".
Fourth Message	0	N	"Lockdown over".
Fifth Message	32P	N	"This is a class change announcement".
Sixth Message	50	N	"Staff Call 100".
Seventh Message	32P	N	"This is a Partial Lockdown Alarm".
Order Reference	OPTION B (LOCKDOWN)		

OPTION C (BUILDING PROTECTION)

	Tone Number	Strobe Y/N	Voice Announcement
First Message	0	Y	"This site is private property. You are being recorded by CCTV cameras and the police have been contacted".
Second Message	0	N	"Attention, the intruder alarm is about to be set and all the lights will be turned off".
Third Message	0	N	"Staff Call 100. Staff Call 100".
Fourth Message	2C	Y	"You have been identified as an intruder, please leave the area immediately".
Fifth Message	2C	Y	"Please stand still. The security fogging system has activated and the emergency services have been called. Breathe normally and await further instruction".
Sixth Message	0	Y	"Attention! Fire shutter closing".
Seventh Message	32P	N	"Warning. Fire curtain closing. Please stand clear".
Order Reference	OPTION C (BUILDING PROTECTION)		

TONES KEY

Tone Number	Tone Description
2C	Banshee Continuous
2P	Banshee Pulsed
32P	Bell Tone Pulsed
32C	Bell Tone Continuous
50	Ping Pong Tone
0	No Tone

DS/3700066/ISS 4

We reserve the right to change or amend any design or specification in line with our policy of continuing development and improvement.

Vimpex LTD
Star Lane, Great Wakering,
Essex SS3 0PJ, UK
t. +44 (0) 1702 216999
e. sales@vimpex.co.uk
www.vimpex.co.uk

Vimpex Interguard AB
t. +46 (0) 36 37 10 65
e. sales@vimpex.se



Quality System Certificate No. 456
Assessed to ISO 9001